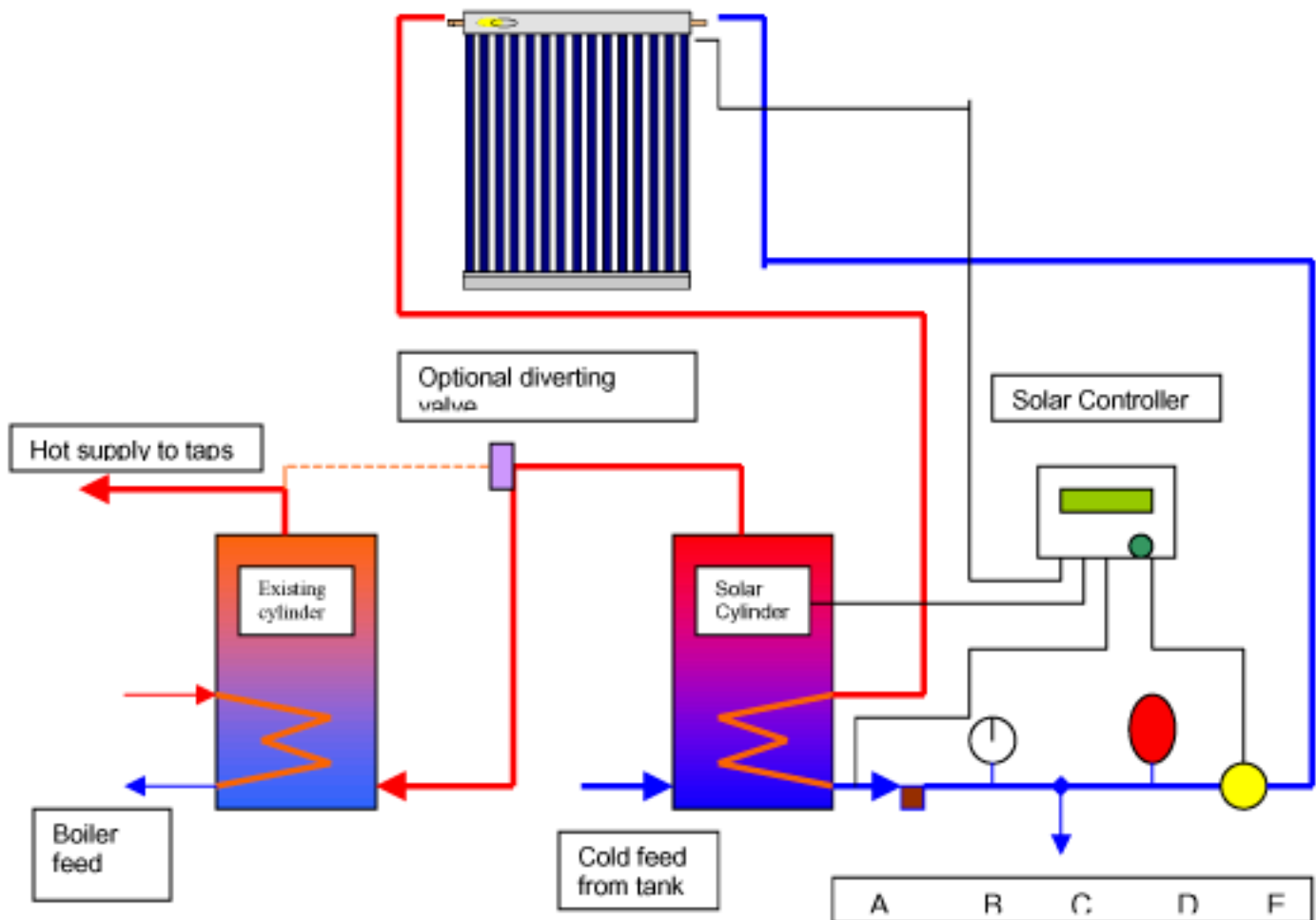




**Diagram of Solar Pre-Feed System**



**Method of operation.**

When the temperature in the collector rises 3 degrees above the temperature at the return of the solar coil the pump is switched on. The water is heated in the solar cylinder. When water is drawn from the existing cylinder at a tap, it is replaced by the water pre-heated in the solar cylinder. With the installation of the optional diverting valve, the hot water from the solar cylinder can flow direct to the taps when a pre-determined temperature has been reached.

- A Non-return valve
- B Pressure Gauge
- C Fill loop
- D Expansion Vessel
- E Solar Pump